

REV A  
 SHEET 1  
 DWG NO. 25-A-MFB-XX

**SPECIFICATIONS:**

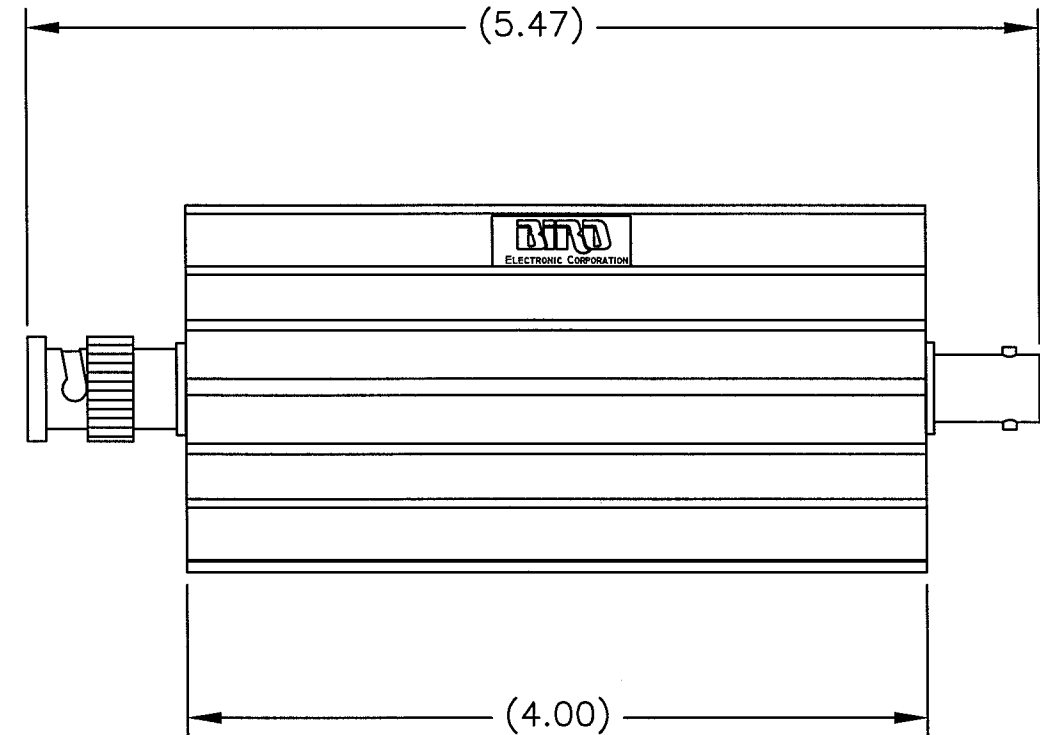
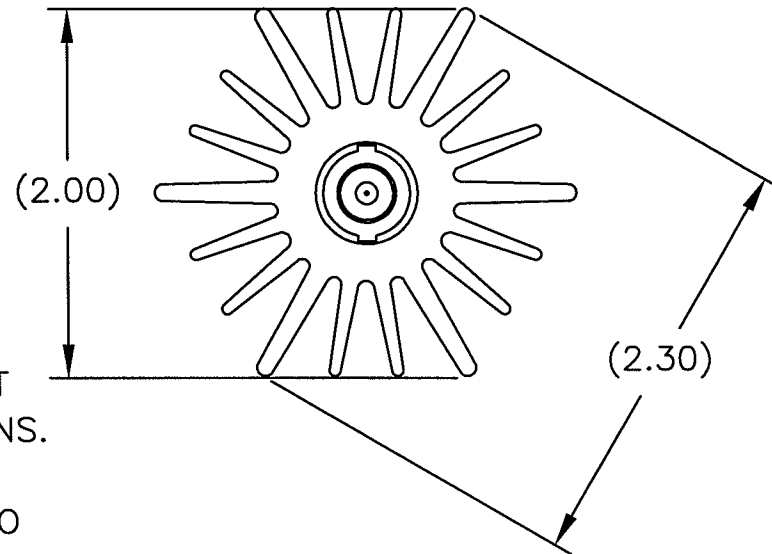
25 WATT BI-DIRECTIONAL COAXIAL ATTENUATOR  
 POWER RATING: 25 WATTS MAXIMUM @ 40°C.  
 30 WATTS MAXIMUM @ 25°C.

CONNECTORS: BNC-TYPE, MALE-FEMALE  
 FREQUENCY RANGE & VSWR: DC TO 1GHz AT 1.10:1 MAX.  
 1GHz TO 4GHz AT 1.25:1 MAX.

IMPEDANCE: 50 OHMS, NOMINAL  
 AMBIENT TEMPERATURE RANGE: -40°C TO +40°C  
 OPERATING POSITION: ANY

COOLANT: DRY (CONVECTION COOLED)  
 FINISH: BLACK ANODIZED COOLING FINS, SILVER OR TRI-ALLOY PLATED CONNECTORS  
 NOMINAL SIZE: 5.47" L X Ø2.3" (WITH BNC-TYPE MALE, FEMALE CONNECTORS)  
 WEIGHT: APPROX. 9 OZ.


REVISIONS				
ZONE	REV	DESCRIPTION	DATE	APPROVED
	A	ECN #0185	12-19-97	<i>MRJ</i>



**NOTE:**  
 FOR VALUES NOT LISTED, REFER TO THE NEXT HIGHER ATTENUATION LEVEL FOR SPECIFICATIONS. FOR ATTENUATION VALUES GREATER THAN THE HIGHEST LISTED ATTENUATION VALUE, REFER TO THE VALUE 1/2 THE DESIRED ATTENUATION LEVEL, THEN DOUBLE THE LISTED SPECIFICATION VALUES, UNLESS OTHERWISE SPECIFIED.

XX = DASH NUMBER (dB VALUE)

-30	30	±0.8 dB	±1.3 dB
-20	20	±0.5 dB	±1.0 dB
-10	10	±0.4 dB	±0.8 dB
-06	6	±0.4 dB	±0.6 dB
-03	3	±0.3 dB	±0.5 dB
-02	2	±0.3 dB	±0.5 dB
-01	1	±0.3 dB	±0.5 dB
DASH NO.	dB ATTEN.	DC - 1GHz ATTENUATOR	1 - 4GHz ACCURACY ±dB

UNLESS OTHERWISE SPECIFIED DIMENSIONS ARE IN INCHES TOLERANCES ARE: FRACTIONS DECIMALS ANGLES $\pm 1/64$ .XX = ±.010 ± 30' .XXX = ±.005		MILLIMETERS .X = ±.4 .XX = ±.12	THIS DRAWING IS THE PROPERTY OF THE BIRD ELECTRONIC CORPORATION. THE DESIGNS AND SPECIFICATIONS DISCLOSED HEREON ARE PROPRIETARY AND SHALL NOT BE REPRODUCED, NOR COPIED, NOR USED AS THE BASIS FOR THE MANUFACTURE OR SALE OF APPARATUS OR DEVICES WITHOUT THEIR EXPRESS WRITTEN CONSENT.		 <b>BIRD</b> Electronic Corporation Cleveland (Solon) Ohio USA
DO NOT SCALE DRAWING		APPROVALS DRAWN D.M.RINK DATE 5-8-03 CHECKED APPROVED <i>MRJ</i> DATE 6-15-03		TITLE FINAL ASS'Y, ATTENUATOR BNC-TYPE MALE/FEMALE, 25W	
MATERIAL FINISH		SCALE 1:1 AUTOCAD		SIZE B FSCM NO. 70998 COMM CODE AT1	DWG. NO. 25-A-MFB-XX SHEET 1 OF 1